

**LIUGONG**

# 925FCR EXCAVATOR

ALL NEW  
**F-SERIES**

|                  |                       |
|------------------|-----------------------|
| Engine           | B6.7                  |
| Net Power        | 116kW                 |
| Operating Weight | 25,500-28,200kg       |
| Bucket Capacity  | 0.9-1.2m <sup>3</sup> |



TOUGH WORLD. TOUGH EQUIPMENT.

# SPECIFICATIONS



## OPERATING WEIGHT

25,500-28,200 kg (56,218-62,170 lbs)

Operating weight includes coolant, lubricants, full fuel tank, cab, standard shoes, boom, arm, bucket and operator 75 kg (165 lbs).

**Bucket Capacity** 0.9-1.2 m<sup>3</sup> (1.18-1.57 yd<sup>3</sup>)

## ENGINE

### Description

Cummins EPA Tier 4 final / EU Stage V, 6-cylinder straight Variable-Geometry Turbocharger (VGT), high pressure common rail, electronically controlled direct injection. Air cleaner: Cummins direct flow air filter. Cooling system: Air-to-air intercooler

Emission rating EPA Tier 4 final / EU Stage V

Engine manufacturer Cummins

Engine model B6.7

Aspiration Variable-Geometry Turbocharger (VGT)

Charged air cooling Aftercooler

Cooling fan drive Electric motor

Displacement 6.7 L (1.8 gal)

Engine output - net (SAE J1349 / ISO 9249) 116 kW (156 hp) @ 2,200 rpm

Engine output - rated (SAE J1995 / ISO 14396) 116 kW (156 hp) @ 2,200 rpm

Maximum torque 746 N·m @ 1,300 rpm (550 lbf·ft @ 1,300 rpm)

Bore x Stroke 107 x 124 mm (4.2" x 4.9")

## DRIVE AND BRAKES

### Description

2-speed axial piston motors with oil disk brakes. Steering controlled by two hand levers with pedals.

Max. travel speed High: 5.4 km/h (3.4 mph)  
Low: 3.1 km/h (1.9 mph)

Gradeability 35%/70%

Max. drawbar pull 220 kN (49,458 lbf)

## HYDRAULIC SYSTEM

### Main pump

Type Two variable displacement piston pumps

Maximum flow 2 x 228 L/min (2 x 60.2 gal/min)

### Pilot pump

Type Gear pump

Maximum flow 17.5 L/min (4.6 gal/min)

### Relief valve setting

Implement 34.3 / 37.3 MPa (4,975 / 5,410 psi)

Travel circuit 34.3 MPa (4,975 psi)

Slew circuit 31 MPa (4,496 psi)

Pilot circuit 3.9 MPa (566 psi)

### Hydraulic cylinders

Boom Cylinder - Φ125 x 1,353 mm (Φ4.9" x 4'5")

Stick Cylinder - Φ135 x 1,490 mm (Φ5.3" x 4'11")

Bucket Cylinder - Φ115 x 1,120 mm (Φ4.5" x 3'8")

## SWING SYSTEM

### Description

Planetary gear reduction driven by high torque axial piston motor, with oil disk brake. Swing parking brake resets within five seconds after swing pilot controls return to neutral.

Swing speed 10.5 rpm

Swing torque 78,000 N·m (57,530 lbf·ft)

## ELECTRIC SYSTEM

System Voltage 24 V

Batteries 2 x 12 V

Alternator 24 V-180 A

Start motor 24 V -7.8 kW

## UNDERCARRIAGE

Track shoe each side 49

Link pitch 190 mm (7.5")

Shoe width, triple grouser 600 mm (24")

Bottom rollers each side 8

Top rollers each side 2

## SERVICE CAPACITIES

Fuel tank 320 L (84.5 gal)

Engine oil 25 L (6.6 gal)

Final drive (each) 5.5 L (1.5 gal)

Swing drive 3.4 L (0.9 gal)

Cooling system 25 L (6.6 gal)

Hydraulic reservoir 182 L (48.1 gal)

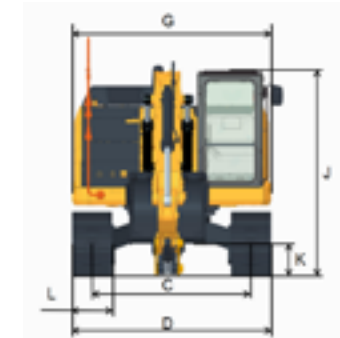
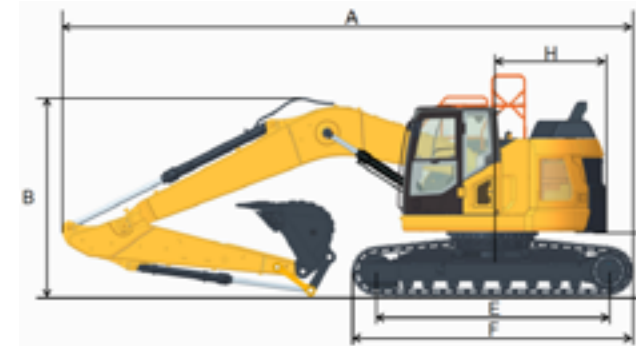
Hydraulic system total 320 L (84.5 gal)

DEF tank 44 L (11.6 gal)

## SOUND PERFORMANCE

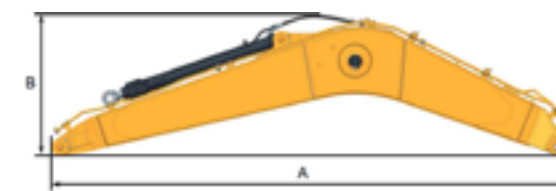
Interior sound power level (ISO 6396) 69 dB(A)

Exterior sound power level (ISO 6395) 100 dB(A)



## DIMENSIONS

|   | 925FCR            |                  |
|---|-------------------|------------------|
| Boom  | 5,710 mm (18'9")  | 5,710 mm (18'9") |
| Arm Options                                 | 2,915 mm (9'7")   | 2,400 mm (7'10") |
| A Shipping Length                           | 8,960 mm (29'5")  | 9,670 mm (31'9") |
| B Shipping Height - Top of Boom             | 3,060 mm (10'0")  | 3,150 mm (10'4") |
| C Track Gauge                               | 2,390 mm (7'10")  |                  |
| D Undercarriage Width - 600 mm (24") shoes  | 2,990 mm (9'10")  |                  |
| 700 mm (28") shoes                          | 3,090 mm (10'2")  |                  |
| 800 mm (32") shoes                          | 3,190 mm (10'6")  |                  |
| 900 mm (35") shoes                          | 3,290 mm (10'10") |                  |
| E Length to Center of Rollers               | 3,650 mm (11'12") |                  |
| F Track Length                              | 4,450 mm (14'7")  |                  |
| G Overall Width of Upper Structure          | 2,990 mm (9'10")  |                  |
| H Tail Swing Radius                         | 1,780 mm (5'10")  |                  |
| I Counterweight Ground Clearance            | 1,010 mm (3'4")   |                  |
| J Overall Height of Cab                     | 2,980 mm (9'9")   |                  |
| J (i) Height of Cab Including Lighting Halo | 3,060 mm (10'0")  |                  |
| J (ii) Height of Cab Including FOPS Guard   | 3,120 mm (10'3")  |                  |
| K Min. Ground Clearance                     | 470 mm (1'7")     |                  |
| L Track Shoe Width                          | 600 mm (24")      |                  |



## BOOM DIMENSIONS

|          | 925FCR                 |
|----------|------------------------|
| Boom     | 5,710 mm (18'9")       |
| A Length | 5,898 mm (19'4")       |
| B Height | 1,630 mm (5'4")        |
| C Width  | 622 mm (2'0")          |
| D Width  | 788 mm (2'7")          |
| Weight   | 2,120 kg (4,673.8 lbs) |

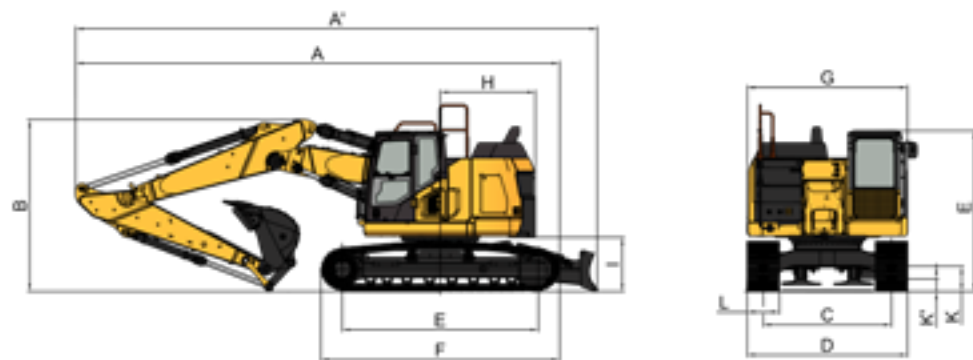
Includes arm cylinder, piping and pin.

## ARM DIMENSIONS

|          |                        |                        |
|----------|------------------------|------------------------|
| Arm      | 2,915 mm (9'7")        | 2,400 mm (7'10")       |
| A Length | 3,918 mm (12'10")      | 3,375 mm (11'1")       |
| B Height | 826 mm (2'9")          | 820 mm (2'8")          |
| C Width  | 476 mm (1'7")          | 476 mm (1'7")          |
| Weight   | 1,115 kg (2,458.2 lbs) | 1,030 kg (2,270.8 lbs) |

Includes bucket cylinder, linkage and pin.





| DIMENSIONS                                  | 925FCR TPB        |
|---|-------------------|
| Boom  | 5,700 mm (18'8")  |
| Arm Length                                  | 2,915 mm (9'7")   |
| A Shipping Length                           | 9,010 mm (29'7")  |
| A' Shipping Length (with dozar)             | 9,720 mm (31'11") |
| B Shipping Height – Top of Boom             | 3,200 mm (10'6")  |
| C Track Gauge                               | 2,390 mm (7'10")  |
| D Undercarriage Width – 600 mm (24") shoes  | 2,990 mm (9'10")  |
| 700 mm (28") shoes                          | 3,090 mm (10'2")  |
| 800 mm (32") shoes                          | 3,190 mm (10'6")  |
| 900 mm (35") shoes                          | 3,290 mm (10'10") |
| E Length to Center of Rollers               | 3,650 mm (11'12") |
| F Track Length                              | 4,450 mm (14'7")  |
| G Overall Width of Upper Structure          | 2,990 mm (9'10")  |
| H Tail Swing Radius                         | 1,780 mm (5'10")  |
| I Counterweight Ground Clearance            | 1,010 mm (3'4")   |
| J Overall Height of Cab                     | 2,980 mm (9'9")   |
| J (i) Height of Cab Including Lighting Halo | 3,060 mm (10'0")  |
| J (ii) Height of Cab Including FOPS Guard   | 3,120 mm (10'3")  |
| K Min. Ground Clearance                     | 470 mm (1'7")     |
| L Track Shoe Width                          | 600 mm (24")      |

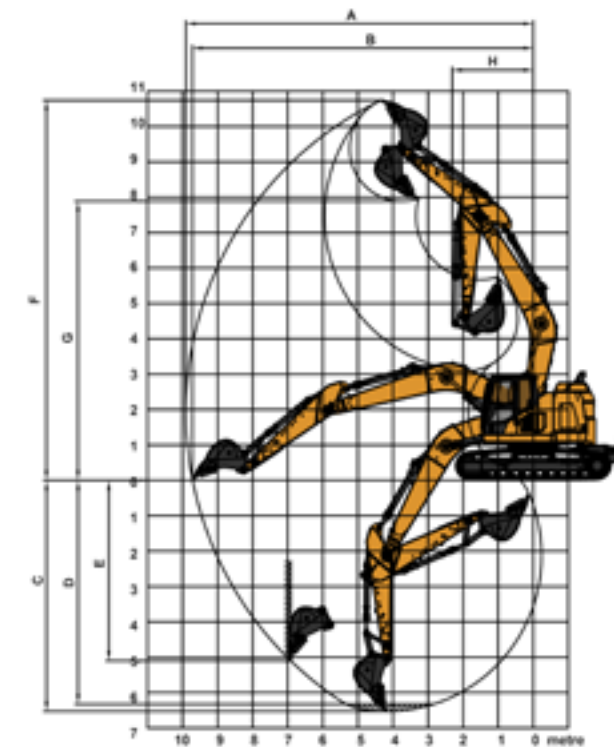


| BOOM DIMENSIONS | 925FCR TPB            |
|-----------------|-----------------------|
| Boom            | 5,700 mm (18'8")      |
| A Length        | 5,885 mm (19'4")      |
| B Height        | 1,440 mm (4'9")       |
| C Width         | 622 mm (2'0")         |
| D Width         | 788 mm (2'7")         |
| Weight          | 2,860 kg (6305.2 lbs) |

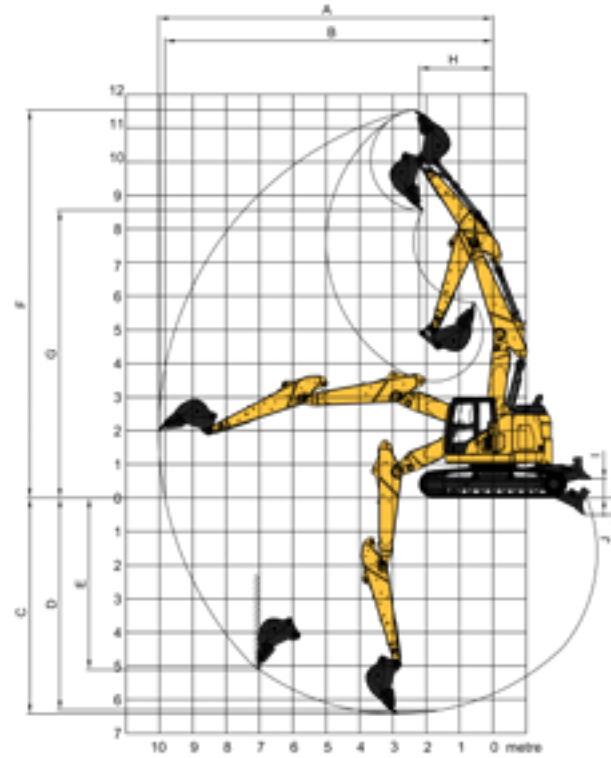
Includes arm cylinder, piping and pin.

| ARM DIMENSIONS |                        |                       |
|----------------|------------------------|-----------------------|
| Arm            | 2,915 mm (9'7")        | 2,400 mm (7'10")      |
| A Length       | 3,918 mm (12'10")      | 3,375 mm (11'1")      |
| B Height       | 826 mm (2'9")          | 820 mm (2'8")         |
| C Width        | 476 mm (1'7")          | 476 mm (1'7")         |
| Weight         | 1,115 kg (2,458.2 lbs) | 1,030 kg (2270.8 lbs) |

Includes bucket cylinder, linkage and pin.



| WORKING RANGE                            | 925FCR                                     |  |                     |
|--|--|--|---------------------|
| Boom Length                              | 5,710 mm (18'9")                           | 5,710 mm (18'9")                           |                     |
| Arm Length                               | 2,915 mm (9'7")                            | 2,400 mm (7'10")                           |                     |
| A. Max. Digging Reach                    | 9,906 mm (32'6")                           | 9,530 mm (31'3")                           |                     |
| B. Max. Digging Reach on Ground          | 9,720 mm (31'11")                          | 9,360 mm (30'9")                           |                     |
| C. Max. Digging Depth                    | 6,530 mm (21'5")                           | 6,250 mm (20'6")                           |                     |
| D. Max. Digging Depth, 2.44 m (8') Level | 6,330 mm (20'9")                           | 6,050 mm (19'10")                          |                     |
| E. Max. Vertical Wall Digging Depth      | 5,100 mm (16'9")                           | 5,175 mm (16'12")                          |                     |
| F. Max. Cutting Height                   | 10,740 mm (35'3")                          | 9,810 mm (32'2")                           |                     |
| G. Max. Dumping Height                   | 7,890 mm (25'11")                          | 7,010 mm (22'12")                          |                     |
| H. Min. Front Swing Radius               | 2,310 mm (7'7")                            | 3,210 mm (10'6")                           |                     |
| Bucket Digging Force (ISO)               | Normal                                     | 140 kN (31,473 lbf)                        | 140 kN (31,473 lbf) |
|  | Power Boost                                | 153 kN (34,283 lbf)                        | 153 kN (34,283 lbf) |
| Stick Digging Force (ISO)                | Normal                                     | 97 kN (21,694 lbf)                         | 116 kN (26,078 lbf) |
|  | Power Boost                                | 105 kN (23,605 lbf)                        | 126 kN (28,326 lbf) |
| Bucket Capacity                          | 1.0 m <sup>3</sup> (1.31 yd <sup>3</sup> ) | 1.0 m <sup>3</sup> (1.31 yd <sup>3</sup> ) |                     |
| Bucket Tip Radius                        | 1,478 mm (4'10")                           | 1,478 mm (4'10")                           |                     |



| WORKING RANGE                            |             | 925FCR TPB                                 |
|--|-------------|--|
| Boom Length                              |             | 5,700 mm (18'8")                           |
| Arm Length                               |             | 2,915 mm (9'7")                            |
| A. Max. Digging Reach                    |             | 10,020 mm (32'10")                         |
| B. Max. Digging Reach on Ground          |             | 9,830 mm (32'3")                           |
| C. Max. Digging Depth                    |             | 6,420 mm (21'1")                           |
| D. Max. Digging Depth, 2.44 m (8') Level |             | 6,310 mm (20'8")                           |
| E. Max. Vertical Wall Digging Depth      |             | 5,100 mm (16'9")                           |
| F. Max. Cutting Height                   |             | 11,540 mm (37'10")                         |
| G. Max. Dumping Height                   |             | 8,560 mm (28'1")                           |
| H. Min. Front Swing Radius               |             | 2,210 mm (7'3")                            |
| Bucket Digging Force (ISO)               | Normal      | 140 kN (31,473 lbf)                        |
|  | Power Boost | 152.5 kN (34,283 lbf)                      |
| Stick Digging Force (ISO)                | Normal      | 97 kN (21,694 lbf)                         |
|  | Power Boost | 105 kN (23,605 lbf)                        |
| Bucket Capacity                          |             | 1.0 m <sup>3</sup> (1.31 yd <sup>3</sup> ) |
| Bucket Tip Radius                        |             | 1,478 mm (4'10")                           |

### MACHINE WEIGHTS AND GROUND PRESSURE

| Shoe width   | 925FCR   |                    |                   | 925FCR TPB  |                    |                   |
|--------------|--|--------------------|-------------------|---|--------------------|-------------------|
|              | Operating weight   | Ground pressure    | Overall width     | Operating weight  | Ground pressure    | Overall width     |
|              | 5,710 mm (18'9") boom, 2,915 mm (9'7") arm, 1.0 m <sup>3</sup> (1.31 yd <sup>3</sup> ) bucket, 6,400 kg (14,110 lbs) counterweight |                    |                   | 5,700 mm (18'8") boom, 2,915 mm (9'7") arm, 1.0 m <sup>3</sup> (1.31 yd <sup>3</sup> ), with dozer, 6,400 kg (14,110 lbs) counterweight |                    |                   |
| 600 mm (24") | 25,800 kg (56,879 lbs)   | 53.7 kPa (7.8 psi) | 2,990 mm (9'10")  | 28,400 kg (62,611 lbs)  | 59.1 kPa (8.6 psi) | 2,990 mm (9'10")  |
| 700 mm (28") | 26,200 kg (57,761 lbs)   | 46.7 kPa (6.8 psi) | 3,090 mm (10'2")  | 28,800 kg (63,493 lbs)  | 51.4 kPa (7.5 psi) | 3,090 mm (10'2")  |
| 800 mm (32") | 26,500 kg (58,422 lbs)   | 41.4 kPa (6 psi)   | 3,190 mm (10'6")  | 29,100 kg (64,155 lbs)  | 45.4 kPa (6.6 psi) | 3,190 mm (10'6")  |
| 900 mm (35") | 26,650 kg (58,753 lbs)   | 37 kPa (5.4 psi)   | 3,290 mm (10'10") | 29,250 kg (64,485 lbs)  | 40.6 kPa (5.9 psi) | 3,290 mm (10'10") |

### BUCKET SELECTION GUIDE

| Bucket type  | Capacity                                  | Cutting width    | Weight               | Teeth pcs | 5.71 m (18'9") or 5.7 m (18'8") Boom |                    |
|--------------|---|------------------|----------------------|-----------|--------------------------------------|--------------------|
|              |   |                  |                      |           | 2.4 m (7'10") Arm                    | 2.915 m (9'7") Arm |
| Earth type   | 0.9 m <sup>3</sup> (1.2 yd <sup>3</sup> ) | 1,200 mm (3'11") | 734 kg (1,618 lbs)   | 5         | B                                    | B                  |
| Earth type   | 1.0 m <sup>3</sup> (1.3 yd <sup>3</sup> ) | 1,260 mm (4'2")  | 779 kg (1,717 lbs)   | 5         | B                                    | B                  |
| Earth type   | 1.1 m <sup>3</sup> (1.4 yd <sup>3</sup> ) | 1,330 mm (4'4")  | 806 kg (1,777 lbs)   | 5         | B                                    | B                  |
| Earth type   | 1.2 m <sup>3</sup> (1.6 yd <sup>3</sup> ) | 1,390 mm (4'7")  | 831 kg (1,832 lbs)   | 5         | B                                    | B                  |
| General type | 1.0 m <sup>3</sup> (1.3 yd <sup>3</sup> ) | 1,260 mm (4'2")  | 859 kg (1,894 lbs)   | 5         | C                                    | C                  |
| General type | 1.1 m <sup>3</sup> (1.4 yd <sup>3</sup> ) | 1,330 mm (4'4")  | 896 kg (1,975 lbs)   | 5         | C                                    | C                  |
| Rock type    | 1.0 m <sup>3</sup> (1.3 yd <sup>3</sup> ) | 1,300 mm (4'3")  | 1,046 kg (2,306 lbs) | 5         | D                                    | D                  |
| Rock type    | 1.1 m <sup>3</sup> (1.4 yd <sup>3</sup> ) | 1,370 mm (4'6")  | 1,095 kg (2,414 lbs) | 5         | D                                    | D                  |

The recommendations are given as a guide only, based on typical operation conditions.  
Bucket capacity based on ISO 7451, heaped material with a 1:1 angle of repose.

Maximum material density:  
 A. 1,200-1,300 kg/m<sup>3</sup> (2,023-2,191 lb/yd<sup>3</sup>): Coal, Caliche, Shale  
 B. 1,400-1,600 kg/m<sup>3</sup> (2,360-2,697 lb/yd<sup>3</sup>): Wet earth and clay, limestone, sandstone  
 C. 1,700-1,800 kg/m<sup>3</sup> (2,865-3,034 lb/yd<sup>3</sup>): Granite, wet sand, well blasted rock  
 D. 1,900 kg/m<sup>3</sup> (3,203 lb/yd<sup>3</sup>): Wet mud, Iron ore  
 NA. Not applicable

Lifting capacity at the arm end without bucket.  
For lifting capacity including bucket, weight of the bucket or the bucket with quick coupler must be deducted from the lifting capacities.

Lifting capacities are based on the machine standing on a firm, uniform supporting surface.



Rating over-front (Cf)



Rating over-side (Cs)

- Do not attempt to lift or hold any load that is greater than these rated values at their specified load radius and height. Weight of all accessories must be deducted from the above lifting capacities.
- The rated loads are in compliance with ISO 10567 Hydraulic Excavator Lift Capacity Rating Standard. They do not exceed 87% of hydraulic lifting capacity or 75% tipping load.
- Ratings at bucket lift hook.
- Lifting capacities are based on machine standing on level, firm and uniform ground.
- \*Indicates the load is limited by hydraulic capacity rather than tipping capacity.
- Operator should be fully acquainted with the Operator's and Maintenance Instructions before operating this machine and rules for the safe operation of equipment should be adhered to at all times.

### LIFTING CAPACITY

#### 925FCR with 700 mm Shoes, 5,710 mm Boom, 2,915 mm Arm

A: Load radius  
B: Load point height  
C: Lifting capacity rating  
Cf: Rating loads over front  
Cs: Rating loads over side

**Conditions:**  
Boom length: 5,710 mm  
Arm length: 2,915 mm  
Bucket: None  
counterweight: 6,400 kg  
Shoes: 700 mm triple grouser  
Unit: kg



| A (Unit: m)  |    |         |         |         |        |        |       |        |       |        |           |        |       |     |
|--------------|----|---------|---------|---------|--------|--------|-------|--------|-------|--------|-----------|--------|-------|-----|
| B (m)        | 3  |         | 4.5     |         | 6      |        | 7.5   |        | 8     |        | MAX REACH |        | A (m) |     |
|              | Cf | Cs      | Cf      | Cs      | Cf     | Cs     | Cf    | Cs     | Cf    | Cs     | Cf        | Cs     |       |     |
| 7.5          | kg |         | *4,389  | *4,389  | *4,615 | *4,615 |       |        |       |        | *4,008    | *4,008 | 6.2   |     |
| 6.0          | kg |         | *4,837  | *4,837  | *4,847 | *4,847 |       |        |       |        | *3,792    | *3,792 | 7.3   |     |
| 4.5          | kg | *7,945  | *7,945  | *6,179  | *6,179 | *5,443 | 5,255 | *5,149 | 3,735 |        |           | *3,607 | 3,361 | 8   |
| 3.0          | kg |         |         | *8,125  | 7,476  | *6,351 | 4,987 | *5,557 | 3,621 | *5,414 | 3,288     | *4,000 | 3,106 | 8.3 |
| 1.5          | kg |         |         | *9,914  | 6,943  | *7,281 | 4,729 | 5,982  | 3,496 | 5,451  | 3,196     | *4,029 | 2,983 | 8.4 |
| GROUND LEVEL | kg | *6,240  | *6,240  | *10,904 | 6,672  | *7,956 | 4,554 | 5,883  | 3,406 | 5,381  | 3,133     | *4,388 | 3,035 | 8.2 |
| -1.5         | kg | *10,467 | *10,467 | *11,082 | 6,613  | 8,021  | 4,490 | 5,863  | 3,388 |        |           | 5,761  | 3,335 | 7.6 |
| -3.0         | kg | *14,991 | 12,654  | *10,491 | 6,705  | *7,804 | 4,547 |        |       |        |           | *6,649 | 3,903 | 6.8 |

### LIFTING CAPACITY

#### 925FCR with 28" Shoes, 18'9" Boom, 9'7" Arm

A: Load radius  
B: Load point height  
C: Lifting capacity rating  
Cf: Rating loads over front  
Cs: Rating loads over side

**Conditions:**  
Boom length: 18'9"  
Arm length: 9'7"  
Bucket: None  
counterweight: 14,110 lbs  
Shoes: 28" triple grouser  
Unit: lbs



| A (Unit: ft) |     |         |         |         |         |         |         |         |       |         |           |         |        |    |
|--------------|-----|---------|---------|---------|---------|---------|---------|---------|-------|---------|-----------|---------|--------|----|
| B (ft)       | 10  |         | 15      |         | 20      |         | 25      |         | 26    |         | MAX REACH |         | A (ft) |    |
|              | Cf  | Cs      | Cf      | Cs      | Cf      | Cs      | Cf      | Cs      | Cf    | Cs      | Cf        | Cs      |        |    |
| 25           | lbs |         |         | *9,676  | *9,676  | *10,174 | *10,174 |         |       |         |           | *8,837  | *8,837 | 20 |
| 20           | lbs |         |         | *10,665 | *10,665 | *10,686 | *10,686 |         |       |         |           | *8,359  | *8,359 | 24 |
| 15           | lbs | *17,516 | *17,516 | *13,622 | *13,622 | *11,999 | 11,586  | *11,351 | 8,235 |         |           | *7,953  | 7,409  | 26 |
| 10           | lbs |         |         | *17,913 | 16,482  | *14,001 | 10,995  | *12,250 | 7,982 | *11,936 | 7,249     | *8,819  | 6,848  | 27 |
| 5            | lbs |         |         | *21,857 | 15,306  | *16,052 | 10,425  | 13,189  | 7,707 | 12,017  | 7,046     | *8,881  | 6,577  | 28 |
| GROUND LEVEL | lbs | *13,756 | *13,756 | *24,040 | 14,709  | *17,540 | 10,041  | 12,970  | 7,510 | 11,863  | 6,906     | *9,673  | 6,691  | 27 |
| -5           | lbs | *23,077 | *23,077 | *24,433 | 14,580  | 17,683  | 9,900   | 12,926  | 7,470 |         |           | 12,702  | 7,353  | 25 |
| -10          | lbs | *33,048 | 27,897  | *23,128 | 14,782  | *17,204 | 10,024  |         |       |         |           | *14,660 | 8,604  | 22 |

### LIFTING CAPACITY

#### 925FCR with 700 mm Shoes, 5,710 mm Boom, 2,915 mm Arm, with dozer

A: Load radius  
B: Load point height  
C: Lifting capacity rating  
Cf: Rating loads over front  
Cs: Rating loads over side

**Conditions:**  
Boom length: 5,710 mm  
Arm length: 2,915 mm  
Bucket: None  
counterweight: 6,400 kg  
Shoes: 700 mm triple grouser  
Unit: kg



| A (Blade Up) |    |         |         |         |        |        |        |        |       |        |           |        |        |     |
|--------------|----|---------|---------|---------|--------|--------|--------|--------|-------|--------|-----------|--------|--------|-----|
| B (m)        | 3  |         | 4.5     |         | 6      |        | 7.5    |        | 8     |        | MAX REACH |        | A (m)  |     |
|              | Cf | Cs      | Cf      | Cs      | Cf     | Cs     | Cf     | Cs     | Cf    | Cs     | Cf        | Cs     |        |     |
| 7.5          | kg |         |         | *4,389  | *4,389 | *4,615 | *4,615 |        |       |        |           | *4,008 | *4,008 | 6.2 |
| 6.0          | kg |         |         | *4,837  | *4,837 | *4,847 | *4,847 |        |       |        |           | *3,792 | 3,711  | 7.3 |
| 4.5          | kg | *7,945  | *7,945  | *6,179  | *6,179 | *5,443 | 4,946  | *5,149 | 3,500 |        |           | *3,607 | 3,143  | 8   |
| 3.0          | kg |         |         | *8,125  | 7,027  | *6,351 | 4,678  | *5,557 | 3,385 | *5,414 | 3,070     | *4,000 | 2,898  | 8.3 |
| 1.5          | kg |         |         | *9,914  | 6,494  | *7,281 | 4,420  | 5,874  | 3,260 | 5,351  | 2,978     | *4,029 | 2,777  | 8.4 |
| GROUND LEVEL | kg | *6,240  | *6,240  | *10,904 | 6,223  | 7,947  | 4,246  | 5,774  | 3,171 | 5,281  | 2,915     | *4,388 | 2,823  | 8.2 |
| -1.5         | kg | *10,467 | *10,467 | *11,082 | 6,164  | 7,873  | 4,182  | 5,755  | 3,153 |        |           | 5,655  | 3,104  | 7.6 |
| -3.0         | kg | *14,991 | 11,832  | *10,491 | 6,256  | *7,804 | 4,238  |        |       |        |           | *6,649 | 3,638  | 6.8 |

### LIFTING CAPACITY

#### 925FCR with 28" Shoes, 18'9" Boom, 9'7" Arm, with dozer

A: Load radius  
B: Load point height  
C: Lifting capacity rating  
Cf: Rating loads over front  
Cs: Rating loads over side

**Conditions:**  
Boom length: 18'9"  
Arm length: 9'7"  
Bucket: None  
counterweight: 14,110 lbs  
Shoes: 28" triple grouser  
Unit: lbs



| A (Blade Up) |     |         |         |         |         |         |         |         |       |         |           |         |        |    |
|--------------|-----|---------|---------|---------|---------|---------|---------|---------|-------|---------|-----------|---------|--------|----|
| B (ft)       | 10  |         | 15      |         | 20      |         | 25      |         | 26    |         | MAX REACH |         | A (ft) |    |
|              | Cf  | Cs      | Cf      | Cs      | Cf      | Cs      | Cf      | Cs      | Cf    | Cs      | Cf        | Cs      |        |    |
| 25           | lbs |         |         | *9,676  | *9,676  | *10,174 | *10,174 |         |       |         |           | *8,837  | *8,837 | 20 |
| 20           | lbs |         |         | *10,665 | *10,665 | *10,686 | *10,686 |         |       |         |           | *8,359  | 8,181  | 24 |
| 15           | lbs | *17,516 | *17,516 | *13,622 | *13,622 | *11,999 | 10,905  | *11,351 | 7,716 |         |           | *7,953  | 6,929  | 26 |
| 10           | lbs |         |         | *17,913 | 15,492  | *14,001 | 10,314  | *12,250 | 7,463 | *11,936 | 6,768     | *8,819  | 6,388  | 27 |
| 5            | lbs |         |         | *21,857 | 14,316  | *16,052 | 9,744   | 12,950  | 7,188 | 11,797  | 6,565     | *8,881  | 6,123  | 28 |
| GROUND LEVEL | lbs | *13,756 | *13,756 | *24,040 | 13,719  | 17,520  | 9,360   | 12,731  | 6,991 | 11,643  | 6,425     | *9,673  | 6,224  | 27 |
| -5           | lbs | *23,077 | *23,077 | *24,433 | 13,590  | 17,357  | 9,219   | 12,687  | 6,951 |         |           | 12,467  | 6,842  | 25 |
| -10          | lbs | *33,048 | 26,085  | *23,128 | 13,792  | *17,204 | 9,344   |         |       |         |           | *14,660 | 8,021  | 22 |





**LIFTING CAPACITY**

**925FCR with 700 mm Shoes, 5,710 mm Boom, 2,915 mm Arm, with dozer**

A: Load radius  
 B: Load point height  
 C: Lifting capacity rating  
 Cf: Rating loads over front  
 Cs: Rating loads over side

**Conditions**

Boom length: 5,710 mm  
 Arm length: 2,915 mm  
 Bucket: None  
 counterweight: 6,400 kg  
 Shoes: 700 mm triple grouser  
 Unit: kg



**A (Blade Down)**

| B (m)        | 3  |         | 4.5     |         | 6      |        | 7.5   |        | 8     |        | MAX REACH |        | A (m) |     |
|--------------|----|---------|---------|---------|--------|--------|-------|--------|-------|--------|-----------|--------|-------|-----|
|              | Cf | Cs      | Cf      | Cs      | Cf     | Cs     | Cf    | Cs     | Cf    | Cs     | Cf        | Cs     |       |     |
| 7.5          | kg |         | *4,389  | *4,389  | *4,615 | *4,615 |       |        |       |        | *4,008    | *4,008 | 6.2   |     |
| 6.0          | kg |         | *4,837  | *4,837  | *4,847 | *4,847 |       |        |       |        | *3,792    | 3,711  | 7.3   |     |
| 4.5          | kg | *7,945  | *7,945  | *6,179  | *6,179 | *5,443 | 4,946 | *5,149 | 3,500 |        |           | *3,607 | 3,143 | 8   |
| 3.0          | kg |         |         | *8,125  | 7,027  | *6,351 | 4,678 | *5,557 | 3,385 | *5,414 | 3,070     | *4,000 | 2,898 | 8.3 |
| 1.5          | kg |         |         | *9,914  | 6,494  | *7,281 | 4,420 | *6,035 | 3,260 | *5,773 | 2,978     | *4,029 | 2,777 | 8.4 |
| GROUND LEVEL | kg | *6,240  | *6,240  | *10,904 | 6,223  | *7,956 | 4,246 | *6,399 | 3,171 | *6,033 | 2,915     | *4,388 | 2,823 | 8.2 |
| -1.5         | kg | *10,467 | *10,467 | *11,082 | 6,164  | *8,198 | 4,182 | *6,439 | 3,153 |        |           | *6,243 | 3,104 | 7.6 |
| -3.0         | kg | *14,991 | 11,832  | *10,491 | 6,256  | *7,804 | 4,238 |        |       |        |           | *6,649 | 3,638 | 6.8 |

**LIFTING CAPACITY**

**925FCR with 28" Shoes, 18'9" Boom, 9'7" Arm, with dozer**

A: Load radius  
 B: Load point height  
 C: Lifting capacity rating  
 Cf: Rating loads over front  
 Cs: Rating loads over side

**Conditions**

Boom length: 18'9"  
 Arm length: 9'7"  
 Bucket: None  
 counterweight: 14,110 lbs  
 Shoes: 28" triple grouser  
 Unit: lbs



**A (Blade Down)**

| B (ft)       | 10  |         | 15      |         | 20      |         | 25      |         | 26    |         | MAX REACH |         | A (ft) |    |
|--------------|-----|---------|---------|---------|---------|---------|---------|---------|-------|---------|-----------|---------|--------|----|
|              | Cf  | Cs      | Cf      | Cs      | Cf      | Cs      | Cf      | Cs      | Cf    | Cs      | Cf        | Cs      |        |    |
| 25           | lbs |         |         | *9,676  | *9,676  | *10,174 | *10,174 |         |       |         |           | *8,837  | *8,837 | 20 |
| 20           | lbs |         |         | *10,665 | *10,665 | *10,686 | *10,686 |         |       |         |           | *8,359  | 8,181  | 24 |
| 15           | lbs | *17,516 | *17,516 | *13,622 | *13,622 | *11,999 | 10,905  | *11,351 | 7,716 |         |           | *7,953  | 6,929  | 26 |
| 10           | lbs |         |         | *17,913 | 15,492  | *14,001 | 10,314  | *12,250 | 7,463 | *11,936 | 6,768     | *8,819  | 6,388  | 27 |
| 5            | lbs |         |         | *21,857 | 14,316  | *16,052 | 9,744   | *13,304 | 7,188 | *12,727 | 6,565     | *8,881  | 6,123  | 28 |
| GROUND LEVEL | lbs | *13,756 | *13,756 | *24,040 | 13,719  | *17,540 | 9,360   | *14,107 | 6,991 | *13,300 | 6,425     | *9,673  | 6,224  | 27 |
| -5           | lbs | *23,077 | *23,077 | *24,433 | 13,590  | *18,073 | 9,219   | *14,195 | 6,951 |         |           | *13,763 | 6,842  | 25 |
| -10          | lbs | *33,048 | 26,085  | *23,128 | 13,792  | *17,204 | 9,344   |         |       |         |           | *14,660 | 8,021  | 22 |

**LIFTING CAPACITY**

**925FCR TPB with 600 mm Shoes, 5,700 mm Boom, 2,915 mm Arm**

A: Load radius  
 B: Load point height  
 C: Lifting capacity rating  
 Cf: Rating loads over front  
 Cs: Rating loads over side

**Conditions:**

Boom length: 5,700 mm  
 Arm length: 2,915 mm  
 Bucket: None  
 counterweight: 6,400 kg  
 Shoes: 600 mm triple grouser  
 Unit: kg



**A (Unit: m)**

| B (m)        | 3  |         | 4.5     |         | 6      |        | 7.5   |        | 8     |        | MAX REACH |        | A (m)  |     |
|--------------|----|---------|---------|---------|--------|--------|-------|--------|-------|--------|-----------|--------|--------|-----|
|              | Cf | Cs      | Cf      | Cs      | Cf     | Cs     | Cf    | Cs     | Cf    | Cs     | Cf        | Cs     |        |     |
| 9.0          | kg |         |         |         |        |        |       |        |       |        |           | *4,564 | *4,564 | 3.9 |
| 7.5          | kg |         |         | *5,788  | *5,788 |        |       |        |       |        |           | *3,850 | *3,850 | 5.9 |
| 6.0          | kg |         |         | *6,116  | *6,116 | *5,717 | 5,342 |        |       |        |           | *3,845 | *3,845 | 7   |
| 4.5          | kg | *9,566  | *9,566  | *7,265  | *7,265 | *6,193 | 5,145 | *4,687 | 3,599 |        |           | *3,850 | 3,439  | 7.7 |
| 3.0          | kg | *12,180 | *12,180 | *8,912  | 7,327  | *6,929 | 4,846 | *5,929 | 3,476 | *4,353 | 3,138     | *3,781 | 3,075  | 8.1 |
| 1.5          | kg |         |         | *10,319 | 6,698  | *7,631 | 4,546 | 5,803  | 3,333 | *5,212 | 3,035     | *4,557 | 2,980  | 8.1 |
| GROUND LEVEL | kg | *7,761  | *7,761  | *10,888 | 6,350  | 7,841  | 4,333 | 5,683  | 3,225 |        |           | *5,076 | 3,010  | 7.9 |
| -1.5         | kg | *11,931 | 11,700  | *10,585 | 6,250  | 7,739  | 4,244 |        |       |        |           | 5,757  | 3,252  | 7.4 |
| -3.0         | kg | *12,855 | 11,955  | *9,384  | 6,331  | *6,949 | 4,297 |        |       |        |           | *6,345 | 3,968  | 6.4 |

**LIFTING CAPACITY**

**925FCR TPB with 24" Shoes, 18'8" Boom, 9'7" Arm**

A: Load radius  
 B: Load point height  
 C: Lifting capacity rating  
 Cf: Rating loads over front  
 Cs: Rating loads over side

**Conditions:**

Boom length: 18'8"  
 Arm length: 9'7"  
 Bucket: None  
 counterweight: 14,110 lbs  
 Shoes: 24" triple grouser  
 Unit: lbs



**A (Unit: m)**

| B (m)        | 3   |         | 4.5     |         | 6       |         | 7.5    |         | 8     |         | MAX REACH |         | A (m)   |    |
|--------------|-----|---------|---------|---------|---------|---------|--------|---------|-------|---------|-----------|---------|---------|----|
|              | Cf  | Cs      | Cf      | Cs      | Cf      | Cs      | Cf     | Cs      | Cf    | Cs      | Cf        | Cs      |         |    |
| 30           | lbs |         |         |         |         |         |        |         |       |         |           | *10,062 | *10,062 | 13 |
| 25           | lbs |         |         | *12,760 | *12,760 |         |        |         |       |         |           | *8,489  | *8,489  | 19 |
| 20           | lbs |         |         | *13,484 | *13,484 | *12,603 | 11,777 |         |       |         |           | *8,477  | *8,477  | 23 |
| 15           | lbs | *21,090 | *21,090 | *16,016 | *16,016 | *13,654 | 11,343 | *10,333 | 7,935 |         |           | *8,487  | 7,583   | 25 |
| 10           | lbs | *26,852 | *26,852 | *19,647 | 16,152  | *15,276 | 10,683 | *13,070 | 7,663 | *9,596  | 6,919     | *8,336  | 6,779   | 27 |
| 5            | lbs |         |         | *22,751 | 14,767  | *16,823 | 10,022 | 12,793  | 7,348 | *11,491 | 6,691     | *10,047 | 6,569   | 27 |
| GROUND LEVEL | lbs | *17,109 | *17,109 | *24,004 | 14,000  | 17,287  | 9,553  | 12,530  | 7,111 |         |           | *11,191 | 6,635   | 26 |
| -5           | lbs | *26,303 | 25,794  | *23,336 | 13,778  | 17,061  | 9,356  |         |       |         |           | 12,692  | 7,169   | 24 |
| -10          | lbs | *28,341 | 26,355  | *20,688 | 13,958  | *15,319 | 9,473  |         |       |         |           | *13,989 | 8,747   | 21 |



**LIFTING CAPACITY**

**925FCR TPB with 600 mm Shoes, 5,700 mm Boom, 2,915 mm Arm, with dozer**

A: Load radius  
B: Load point height  
C: Lifting capacity rating  
Cf: Rating loads over front  
Cs: Rating loads over side

**Conditions:**  
Boom length: 5,700 mm  
Arm length: 2,915 mm  
Bucket: None  
counterweight: 6,400 kg  
Shoes: 600 mm triple grouser  
Unit: kg



| A (Blade Up) |    |         |         |         |        |        |       |        |        |        |           |        |       |     |
|--------------|----|---------|---------|---------|--------|--------|-------|--------|--------|--------|-----------|--------|-------|-----|
| B (m)        | 3  |         | 4.5     |         | 6      |        | 7.5   |        | 8      |        | MAX REACH |        | A (m) |     |
|              | Cf | Cs      | Cf      | Cs      | Cf     | Cs     | Cf    | Cs     | Cf     | Cs     | Cf        | Cs     |       |     |
| 9.0          | kg |         |         |         |        |        |       |        |        |        | *4,564    | *4,564 | 3.9   |     |
| 7.5          | kg |         | *5,788  | *5,788  |        |        |       |        |        |        | *3,850    | *3,850 | 5.9   |     |
| 6.0          | kg |         | *6,116  | *6,116  | *5,717 | 5,132  |       |        |        |        | *3,845    | *3,845 | 7     |     |
| 4.5          | kg | *9,566  | *9,566  | *7,265  | *7,265 | *6,193 | 4,936 | *4,687 | 3,440  |        | *3,850    | 3,285  | 7.7   |     |
| 3.0          | kg | *12,180 | *12,180 | *8,912  | 7,022  | *6,929 | 4,636 | *5,929 | 3,316  | *4,353 | 2,991     | *3,781 | 2,929 | 8.1 |
| 1.5          | kg |         | *10,319 | 6,394   | *7,631 | 4,336  | 5,792 | 3,173  | *5,212 | 2,887  | *4,557    | 2,834  | 8.1   |     |
| GROUND LEVEL | kg | *7,761  | *7,761  | *10,888 | 6,046  | 7,827  | 4,124 | 5,673  | 3,066  |        | *5,076    | 2,860  | 7.9   |     |
| -1.5         | kg | *11,931 | 11,143  | *10,585 | 5,945  | 7,724  | 4,035 |        |        |        | 5,746     | 3,090  | 7.4   |     |
| -3.0         | kg | *12,855 | 11,398  | *9,384  | 6,027  | *6,949 | 4,088 |        |        |        | *6,345    | 3,774  | 6.4   |     |

**LIFTING CAPACITY**

**925FCR TPB with 24" Shoes, 18'8" Boom, 9'7" Arm, with dozer**

A: Load radius  
B: Load point height  
C: Lifting capacity rating  
Cf: Rating loads over front  
Cs: Rating loads over side

**Conditions:**  
Boom length: 18'8"  
Arm length: 9'7"  
Bucket: None  
counterweight: 14,110 lbs  
Shoes: 24" triple grouser  
Unit: lbs



| A (Blade Up) |     |         |         |         |         |         |        |         |         |        |           |         |        |    |
|--------------|-----|---------|---------|---------|---------|---------|--------|---------|---------|--------|-----------|---------|--------|----|
| B (ft)       | 10  |         | 15      |         | 20      |         | 25     |         | 26      |        | MAX REACH |         | A (ft) |    |
|              | Cf  | Cs      | Cf      | Cs      | Cf      | Cs      | Cf     | Cs      | Cf      | Cs     | Cf        | Cs      |        |    |
| 30           | lbs |         |         |         |         |         |        |         |         |        | *10,062   | *10,062 | 13     |    |
| 25           | lbs |         | *12,760 | *12,760 |         |         |        |         |         |        | *8,489    | *8,489  | 19     |    |
| 20           | lbs |         | *13,484 | *13,484 | *12,603 | 11,315  |        |         |         |        | *8,477    | *8,477  | 23     |    |
| 15           | lbs | *21,090 | *21,090 | *16,016 | *16,016 | *13,654 | 10,882 | *10,333 | 7,583   |        | *8,487    | 7,242   | 25     |    |
| 10           | lbs | *26,852 | *26,852 | *19,647 | 15,482  | *15,276 | 10,221 | *13,070 | 7,311   | *9,596 | 6,593     | *8,336  | 6,458  | 27 |
| 5            | lbs |         | *22,751 | 14,096  | *16,823 | 9,560   | 12,770 | 6,996   | *11,491 | 6,365  | *10,047   | 6,248   | 27     |    |
| GROUND LEVEL | lbs | *17,109 | *17,109 | *24,004 | 13,329  | 17,255  | 9,091  | 12,506  | 6,759   |        | *11,191   | 6,304   | 26     |    |
| -5           | lbs | *26,303 | 24,566  | *23,336 | 13,107  | 17,029  | 8,895  |         |         |        | 12,669    | 6,812   | 24     |    |
| -10          | lbs | *28,341 | 25,127  | *20,688 | 13,287  | *15,319 | 9,012  |         |         |        | *13,989   | 8,321   | 21     |    |

**LIFTING CAPACITY**

**925FCR TPB with 600 mm Shoes, 5,700 mm Boom, 2,915 mm Arm, with dozer**

A: Load radius  
B: Load point height  
C: Lifting capacity rating  
Cf: Rating loads over front  
Cs: Rating loads over side

**Conditions:**  
Boom length: 5,700 mm  
Arm length: 2,915 mm  
Bucket: None  
counterweight: 6,400 kg  
Shoes: 600 mm triple grouser  
Unit: kg



| A (Blade Down) |    |         |         |         |        |        |       |        |       |        |           |        |        |        |     |
|----------------|----|---------|---------|---------|--------|--------|-------|--------|-------|--------|-----------|--------|--------|--------|-----|
| B (m)          | 3  |         | 4.5     |         | 6      |        | 7.5   |        | 8     |        | MAX REACH |        | A (m)  |        |     |
|                | Cf | Cs      | Cf      | Cs      | Cf     | Cs     | Cf    | Cs     | Cf    | Cs     | Cf        | Cs     |        |        |     |
| 9.0            | kg |         |         |         |        |        |       |        |       |        |           |        | *4,564 | *4,564 | 3.9 |
| 7.5            | kg |         |         | *5,788  | *5,788 |        |       |        |       |        |           |        | *3,850 | *3,850 | 5.9 |
| 6.0            | kg |         |         | *6,116  | *6,116 | *5,717 | 5,132 |        |       |        |           |        | *3,845 | *3,845 | 7   |
| 4.5            | kg | *9,566  | *9,566  | *7,265  | *7,265 | *6,193 | 4,936 | *4,687 | 3,440 |        |           |        | *3,850 | 3,285  | 7.7 |
| 3.0            | kg | *12,180 | *12,180 | *8,912  | 7,022  | *6,929 | 4,636 | *5,929 | 3,316 | *4,353 | 2,991     | *3,781 | 2,929  | 8.1    |     |
| 1.5            | kg |         |         | *10,319 | 6,394  | *7,631 | 4,336 | *6,234 | 3,173 | *5,212 | 2,887     | *4,557 | 2,834  | 8.1    |     |
| GROUND LEVEL   | kg | *7,761  | *7,761  | *10,888 | 6,046  | *8,018 | 4,124 | *6,356 | 3,066 |        |           |        | *5,076 | 2,860  | 7.9 |
| -1.5           | kg | *11,931 | 11,143  | *10,585 | 5,945  | *7,889 | 4,035 |        |       |        |           |        | *5,944 | 3,090  | 7.4 |
| -3.0           | kg | *12,855 | 11,398  | *9,384  | 6,027  | *6,949 | 4,088 |        |       |        |           |        | *6,345 | 3,774  | 6.4 |

**LIFTING CAPACITY**

**925FCR TPB with 24" Shoes, 18'8" Boom, 9'7" Arm, with dozer**

A: Load radius  
B: Load point height  
C: Lifting capacity rating  
Cf: Rating loads over front  
Cs: Rating loads over side

**Conditions:**  
Boom length: 18'8"  
Arm length: 9'7"  
Bucket: None  
counterweight: 14,110 lbs  
Shoes: 24" triple grouser  
Unit: lbs



| A (Blade Down) |     |         |         |         |         |         |        |         |       |         |           |         |         |         |    |
|----------------|-----|---------|---------|---------|---------|---------|--------|---------|-------|---------|-----------|---------|---------|---------|----|
| B (m)          | 3   |         | 4.5     |         | 6       |         | 7.5    |         | 8     |         | MAX REACH |         | A (m)   |         |    |
|                | Cf  | Cs      | Cf      | Cs      | Cf      | Cs      | Cf     | Cs      | Cf    | Cs      | Cf        | Cs      |         |         |    |
| 30             | lbs |         |         |         |         |         |        |         |       |         |           |         | *10,062 | *10,062 | 13 |
| 25             | lbs |         |         | *12,760 | *12,760 |         |        |         |       |         |           |         | *8,489  | *8,489  | 19 |
| 20             | lbs |         |         | *13,484 | *13,484 | *12,603 | 11,315 |         |       |         |           |         | *8,477  | *8,477  | 23 |
| 15             | lbs | *21,090 | *21,090 | *16,016 | *16,016 | *13,654 | 10,882 | *10,333 | 7,583 |         |           |         | *8,487  | 7,242   | 25 |
| 10             | lbs | *26,852 | *26,852 | *19,647 | 15,482  | *15,276 | 10,221 | *13,070 | 7,311 | *9,596  | 6,593     | *8,336  | 6,458   | 27      |    |
| 5              | lbs |         |         | *22,751 | 14,096  | *16,823 | 9,560  | *13,744 | 6,996 | *11,491 | 6,365     | *10,047 | 6,248   | 27      |    |
| GROUND LEVEL   | lbs | *17,109 | *17,109 | *24,004 | 13,329  | *17,677 | 9,091  | *14,012 | 6,759 |         |           |         | *11,191 | 6,304   | 26 |
| -5             | lbs | *26,303 | 24,566  | *23,336 | 13,107  | *17,392 | 8,895  |         |       |         |           |         | *13,104 | 6,812   | 24 |
| -10            | lbs | *28,341 | 25,127  | *20,688 | 13,287  | *15,319 | 9,012  |         |       |         |           |         | *13,989 | 8,321   | 21 |

# STANDARD EQUIPMENT

## ENGINE SYSTEM

Cummins B6.7 engine, EPA Tier 4F/EU Stage V, turbocharged, 6 cylinder, 4 stroke, water cooled.

Engine overheat prevention system

Auto-idle speed control

Automatic engine shutdown

Air filter with integrated pre-cleaner

Metal fuel tank

Fuel pre-filter with water separator and water detection

Electric fuel lifting pump

Remote engine oil filter

Double engine oil dip-stick

6 x reversible electric cooling fans

Dismountable radiator dustproof net

Air conditioner compressor belt automatic tensioner

Cold starting kit for -20° C

Electric refueling pump with auto shutoff

## HYDRAULIC SYSTEM

Full electric control hydraulic system

3-power modes (Power, Standard, Economy)

Power boost function (automatic & manual)

Pilot control shut-off lever

Pilot accumulator

Automatic swing parking brake

Swing with anti-reverse function

Boom and arm regeneration circuits

Boom and arm holding valves

Boom lowering device for back-up

Automatic two-speed travel

Automatic travel parking brake

Hydraulic oil temperature independent control

Pressure checking port for main pump

Proportional joystick control auxiliary rotation line

Proportional joystick control auxiliary two way line

Auxiliary one/two way lines exchange on the monitor

Auxiliary one/two way lines flow & pressure adjustable on the monitor

Control pattern-change on the monitor

Auxiliary rotation line flow adjustable on the monitor

## OPERATOR STATION

Pressurized and sealed cab with all-around visibility

ROPS certified cab

Removeable lower windshield

Openable front windshield

Large roof window with slide sliding sun visor

Air suspension deluxe seat (with heater and head rest) + retractable seat belt (75 mm [3 in] width, red colour, with warning alarm)

Consoles and seat height adjustable follow-up

8 inches high resolution LCD touch screen + integrated control panel

Automatic air conditioner, heater, defroster

Washable floor mat

Fire extinguisher

Safety hammer for cab evacuation

Storage box

Cup holder

Document holding space

Green safety glass

Sliding window positioning

Cab interior lighting

Tilt-up left side console

## ELECTRICAL SYSTEM

Monitor: working mode, working hour, water temperature, oil temperature, fuel level, DEF level, fuel consumption, rear vision, fault code, work condition etc. machine information

Warn: low engine oil pressure, low fuel level, air filter clog, machine overheat, maintenance remind etc.

Front window wiper with intermittent feature

Wiper intermittent time adjustable

Bluetooth / AM/FM radio with auxiliary input

Start-up password

Work lights shut off delay timer

Cab light shut off delay timer

2 stereo speakers

2 signaling/warning horn

Battery disconnect switch

Emergency stop on ground

One-click start

Machine rear lighting

Password for attachments flow and pressure adjustments

Attachments flow and pressure programmable memories

Overload warning device

Travel alarm

Rotating beacon

4 boom working lights

Work lights: separately installed LED in front and rear cab (4 front and 2 rear)

360° view

Quicker-coupler activate warning



## UNDERCARRIAGE

Standard track undercover  
600 mm (24") track-shoes with triple grousers  
Rollers, bottom - 8 each side  
Rollers, top - 2 each side  
3 piece track guards (each side)  
Centralized lubrication for swing bearing  
Towing eye on base frame  
Traction hole

## UPPER STRUCTURE

Frame side handrail  
Anti-slip design plates  
Lockable tool box  
Main pump chamber separated by fire board  
Standard frame undercover  
Side door brace automatically lock  
One key for all locks  
Rearview mirror mounted in the RH machine  
Rearview mirror mounted in the LH cab  
6,400 kg (14,110 lbs) counterweight

## DIGGING EQUIPMENT

1.0 m<sup>3</sup> (1.3 yd<sup>3</sup>) GP Bucket  
5,710 mm (18'9") boom  
2,915 mm (9'7") arm  
Arm front end with guard bars  
Manual centralized lubrication on boom  
Manual centralized lubrication on arm

## SERVICE AND MAINTENANCE

Maintenance tool kit  
Maintenance parts package  
Telematics system  
Remote program update  
Data diagnostic port  
Self-diagnostic system

# OPTIONAL EQUIPMENT

## ENGINE SYSTEM

Cold starting kit for -35° C

## HYDRAULIC SYSTEM

Bucket cylinder rod protect  
High pressure quick-coupler pipes  
Low pressure quick-coupler pipes  
Attachment oil drain line  
Additional filter for breaker piping  
Boom drift function  
Straight travel with one pedal  
Automatic hydraulic system warm-up  
Long-life hydraulic oil (replacement cycle 5,000 h)

## OPERATOR STATION

Cab lower window guard  
Cab top guard  
Openable cab front guard  
Cab front guard and top guard (OPG)  
Openable cab front window mesh guard  
10 inches high resolution LCD touch screen + integrated control panel  
Transparent cab skylight  
Sunscreen  
Front window rain visor

## ELECTRICAL SYSTEM

Work lights: long strip LED light in front and rear cab  
2 alarm mounted bracket on cab roof

## UNDERCARRIAGE

700 mm (28"), 800 mm (32"), 900 mm (35") track-shoes with triple grousers  
Additional track step  
Full length track guard  
Dozer with safety valve

## UPPER STRUCTURE

Guard fence of upper frame around

## DIGGING EQUIPMENT

Bucket linkage with lifting eye

2,400 mm (7'10") short reach arm

Two piece boom (5,700 mm (18'8"))

0.9 m<sup>3</sup> (1.2 yd<sup>3</sup>) earth eype bucket

1.1 m<sup>3</sup> (1.4 yd<sup>3</sup>) GP Bucket

1.2 m<sup>3</sup> (1.6 yd<sup>3</sup>) light duty digging bucket

Hydraulic quick coupler



LG-PB-925FCR-Stage V-WW-A4-052024-ENG



Guangxi LiuGong Machinery Co., Ltd.  
No. 1 Liutai Road, Liuzhou, Guangxi 545007, PR China  
T: +86 772 388 6124 E: overseas@liugong.com  
www.liugong.com

Like and follow us:



The LiuGong series of logos herein, including but not limited to word marks, device marks, letter of alphabet marks and combination marks, as the registered trademarks of Guangxi LiuGong Group Co., Ltd. are used by Guangxi LiuGong Machinery Co., Ltd. with legal permission, and shall not be used without permission. Specifications and designs are subject to change without notice. Illustrations and pictures may include optional equipment and may not include all standard equipment. Equipment and options varies by regional availability.